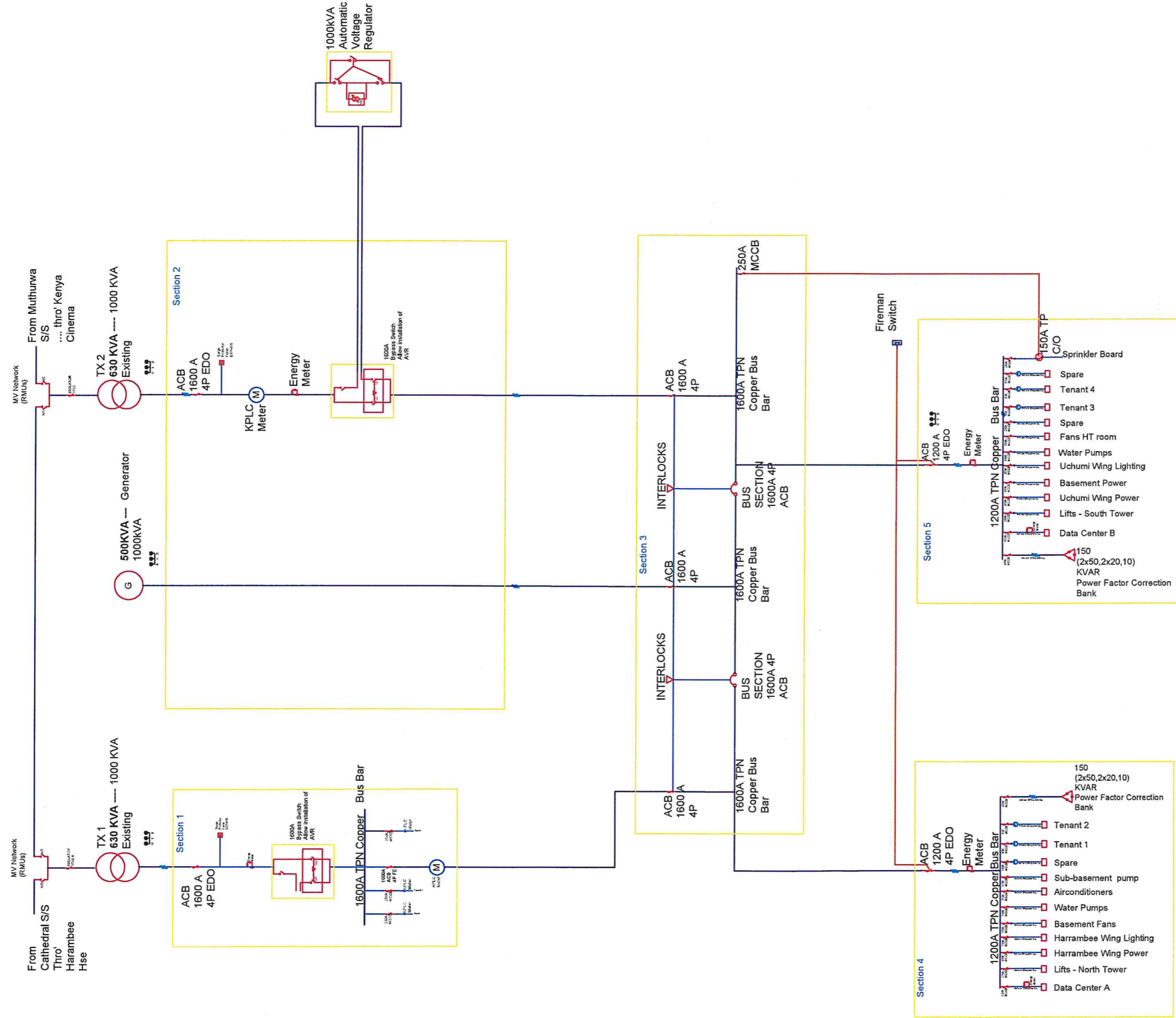


Type H



NO	GENERAL NOTES
1	All dimensions in the drawing are in M.M
2	Do not scale from this drawing. Use figured dimension ONLY
3	All Drawings must be read in conjunction with architectural and mechanical Eng. layouts
4	positions of outlets to be marked and approved prior to installation of boxes
5	The positions of various electrical items as shown on the drawings are provisional. Final positions to be confirmed in the detailed working drawings
6	The contractor shall check all door swings and ensure the switches are installed on the lock side

NO	REVISION NOTES

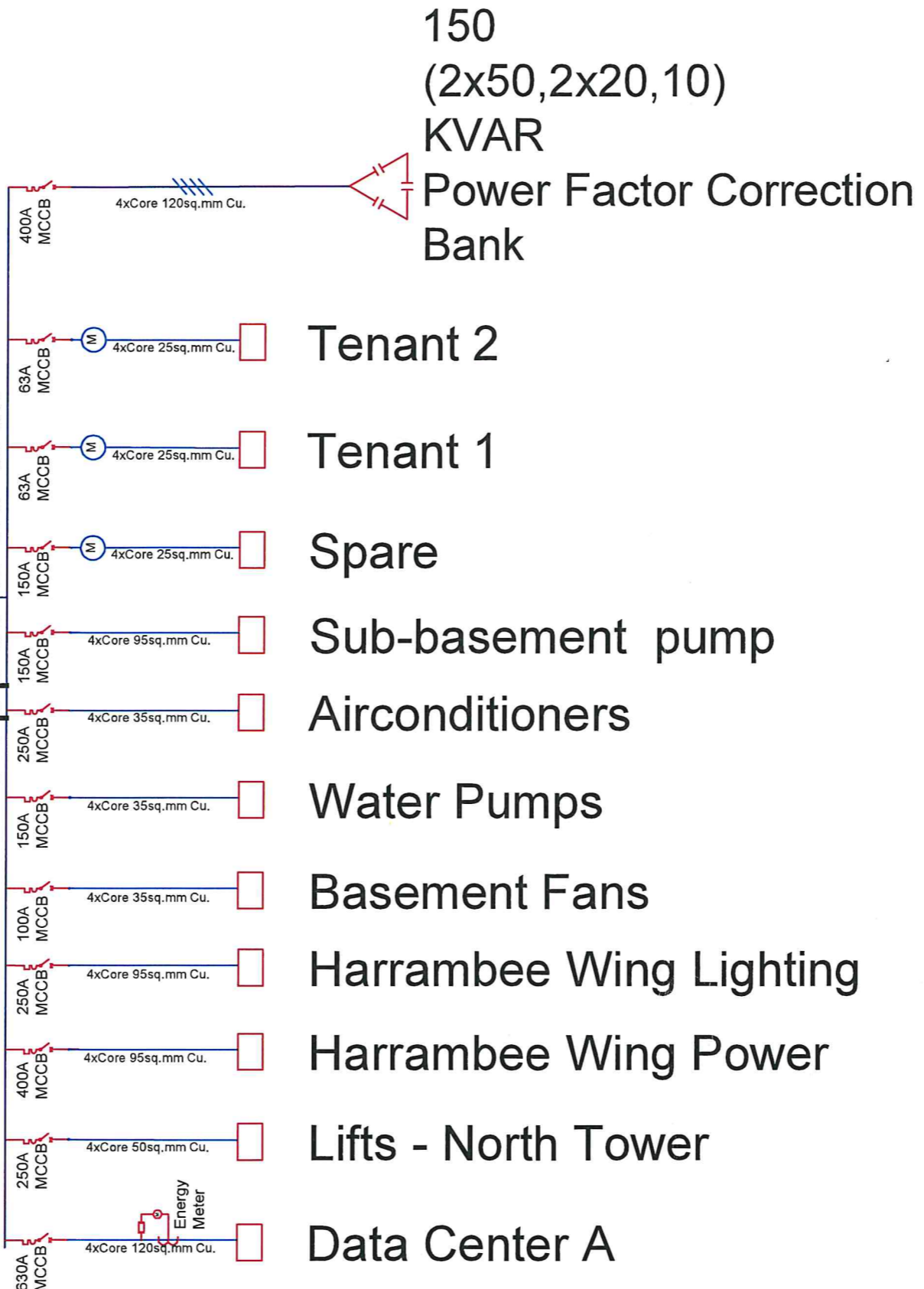
Project:	NEW LV SWITCHBOARD FOR ELECTRICITY HOUSE NAIROBI.
Client:	KENYA POWER
Drawing Title:	LV SWITCHBOARD - PROPOSED ONLINE DIAGRAM
Scale:	Job No.
Drawing No:	Revision No.
Date:	JAN 2019
Designed:	C.K.M
Drawn:	C.K.M
Checked:	K.L
Architect:	

MR 22/8/19

Section 4

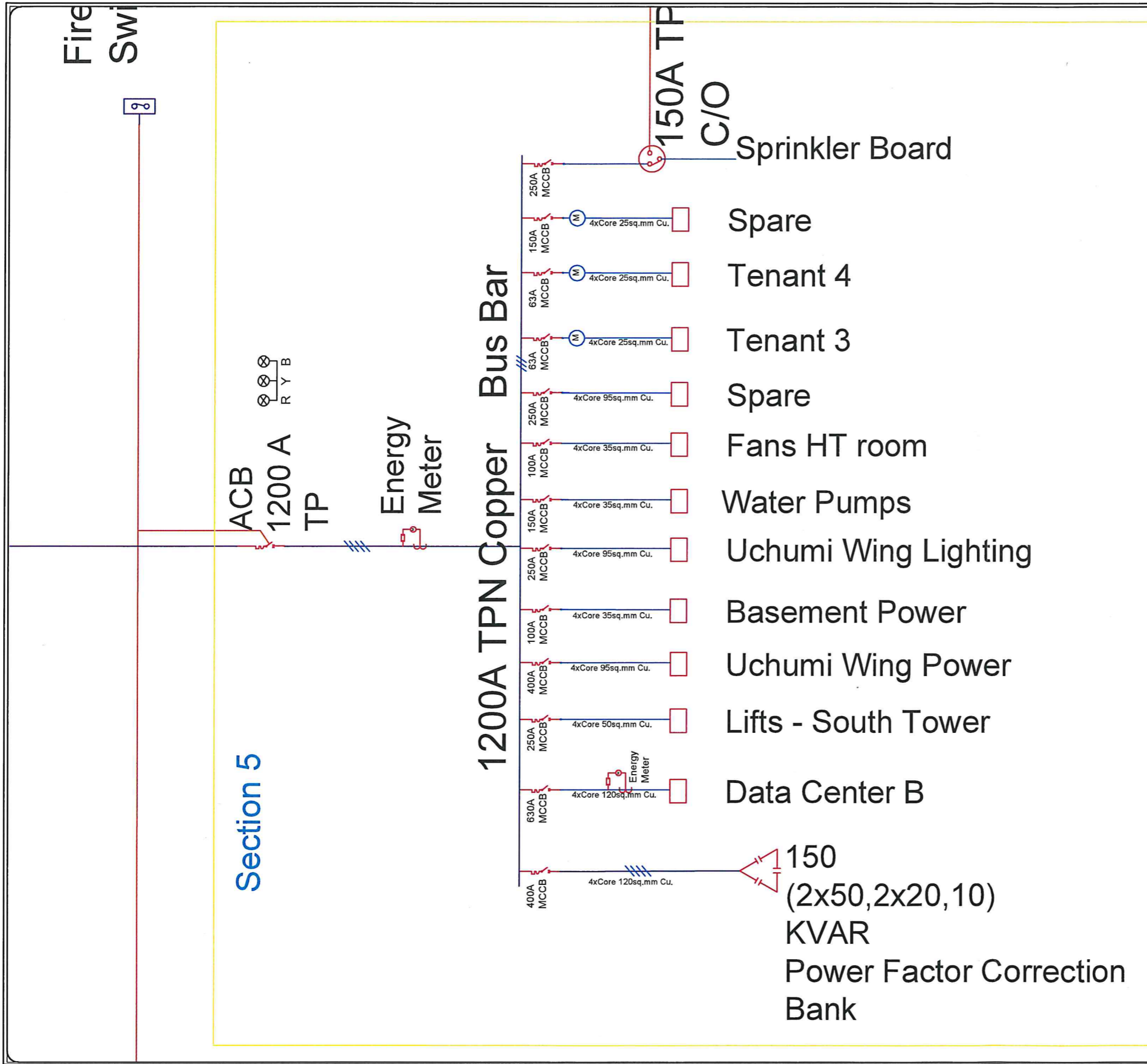
ACB TP
1200 A
Energy Meter

1200A TPN Copper Bus Bar



NO	GENERAL NOTES
1	All dimensions in the drawing are in MM.
2	Do not scale from this drawing. Use figured dimensions ONLY.
3	All Drawings must be read in conjunction with architectural and mechanical Engr. layouts.
4	positions of outlets to be marked and approved prior to installation of boxes.
5	The positions of various electrical items as shown on the drawings are provisional. Final positions to be confirmed in the detailed working drawings.
6	The contractor shall check all door swings and ensure the switches are installed on the lock side.
NO	REVISION NOTES
<div style="border: 2px solid green; width: 100px; height: 50px; margin: 0 auto;"></div>	
Project: NEW LV SWITCHBOARD FOR ELECTRICITY HOUSE NAIROBI.	
Client: KENYA POWER	
Drawing Title: LV SWITCHBOARD - PROPOSED ONLINE DIAGRAM (HARAMBEE WING)	
Scale:	Job No.:
Drawing No. 05	Revision No.:
Date: JAN 2019	Designed: C.K.M.
	Drawn: C.K.M.
	Checked: E.K.L.
Architect:	

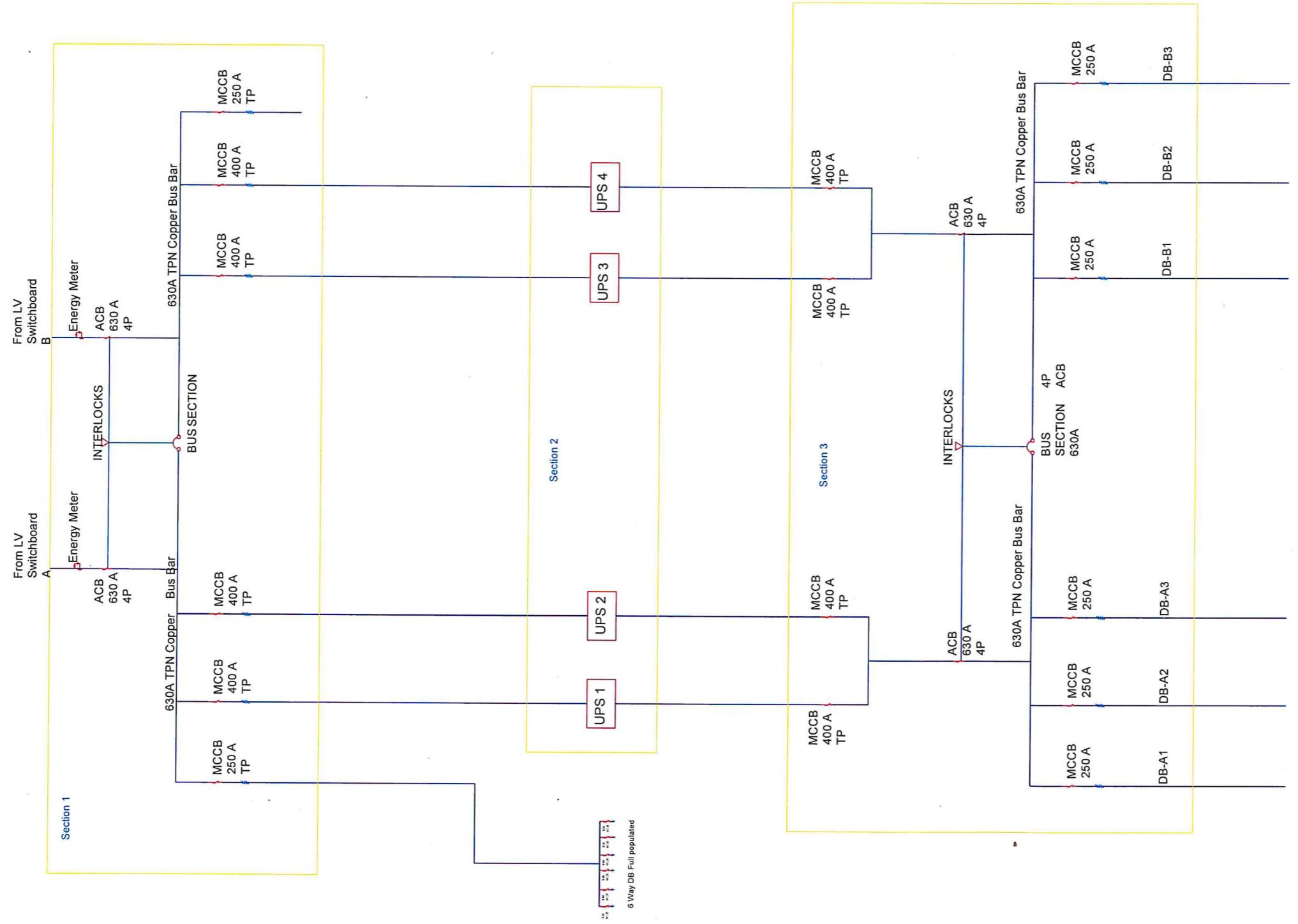
MS 22/8/19



NO	GENERAL NOTES
1	All dimensions in the drawing are in MM
2	Do not scale from this drawing. Use figured dimensions ONLY
3	All Drawings must be read in conjunction with architectural and mechanical Engg layouts
4	positions of outlets to be marked and approved prior to installation of boxes
5	The positions of various electrical items as shown on the drawings are provisional. Final positions to be confirmed in the detailed working drawings
6	The contractor shall check all door swings and ensure the switches are installed on the lock side
NO	REVISION NOTES
<div style="border: 2px solid green; width: 100px; height: 50px; margin: 0 auto;"></div>	
Project:	NEW LV SWITCHBOARD FOR ELECTRICITY HOUSE NAIROBI.
Client:	KENYA POWER
Drawing Title:	LV SWITCHBOARD - PROPOSED ONLINE DIAGRAM (UCHUMI WING)
Scale:	Job No.
Drawing No:	Revision No.
Date:	DESIGNED: G.K.M
	DRAWN: G.K.M
	CHECKED: E.K.L
Architect:	

MB
22/8/19

Type F



6 Way DB Full populated

NO	GENERAL NOTES
1	All dimensions in the drawing are in MM
2	Do not scale from this drawing. Use figured dimensions ONLY
3	All Drawings must be read in conjunction with architectural and mechanical Eng. layouts
4	positions of outlets to be marked and approved prior to installation of boxes
5	The positions of various electrical items as shown on the drawings are provisional. Final positions to be confirmed in the detailed working drawings
6	The contractor shall check all door swings and ensure the switches are installed on the lock side

NO	REVISION NOTES

Project:	NEW LV SWITCHBOARD FOR ELECTRICITY HOUSE NAIROBI.
Client:	KENYA POWER
Drawing Title:	DRG LV SWITCHBOARD ONE LINE DIAGRAM
Scale:	Job No.
Drawing No. 07	Revision No.
Date JAN 2019	Designed: C.K.M.
	Drawn: C.K.M.
	Checked: E.K.L.
Architect:	

MB
20/8/19